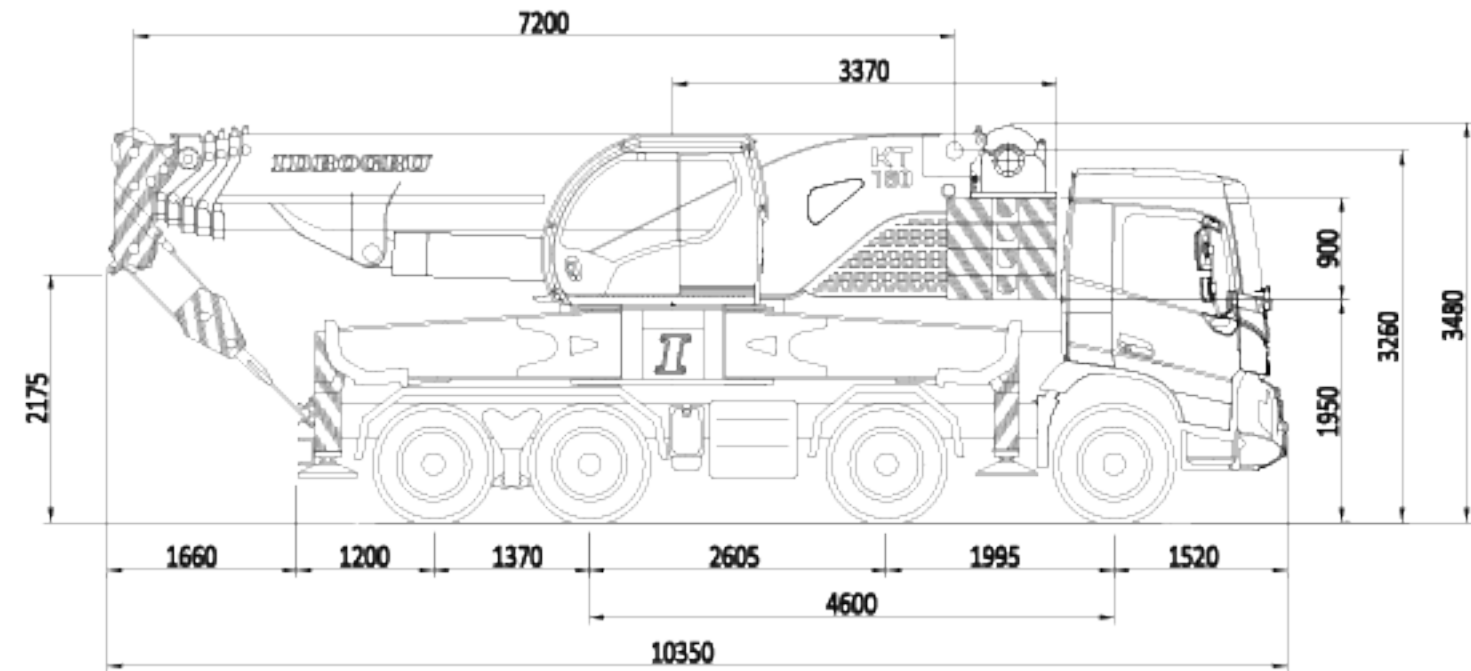
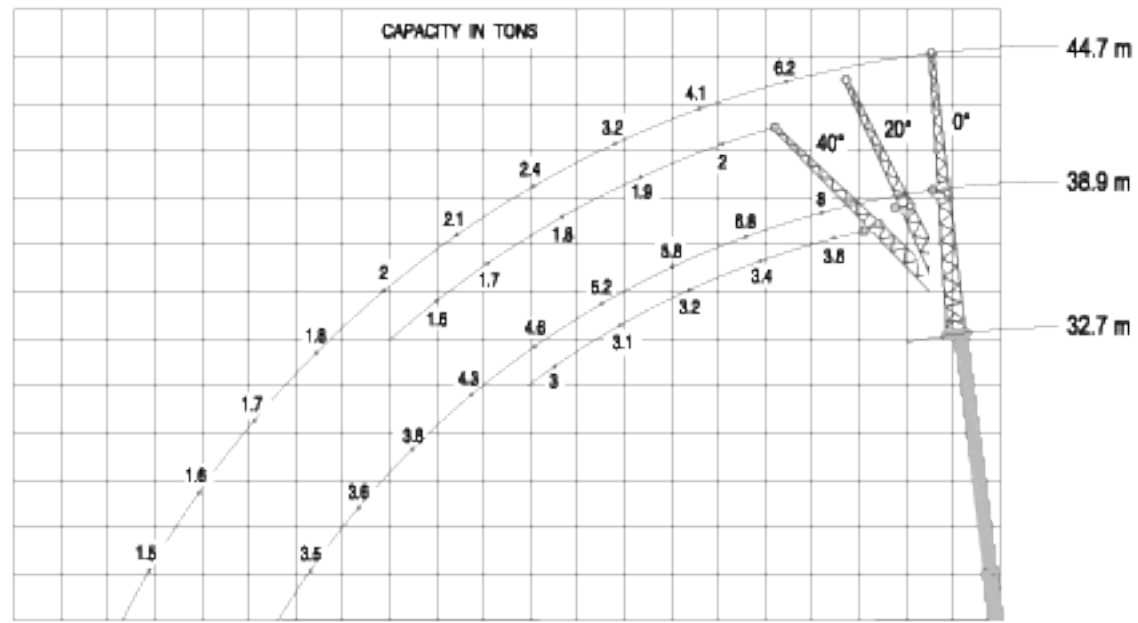
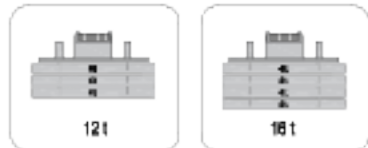
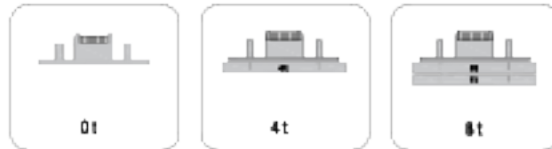


Reclinable trestle jib 6.2 / 12 m



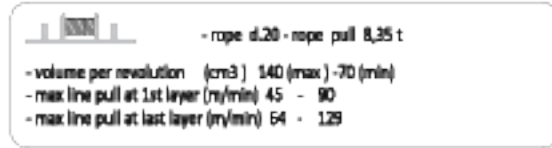
Divisible counterweight with automatic unloading



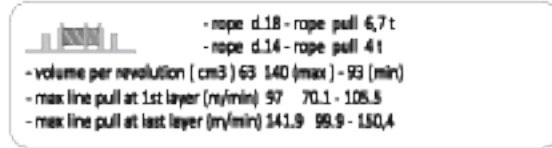
Three position reclinable boom head



Primary winch



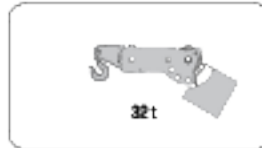
Double winch



1,5 meters hook or pulley for reclinable boom head -60° -30° 0°



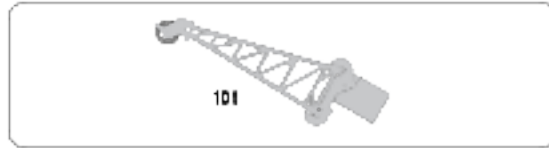
0,8 meters hook for reclinable boom head at -60° -30° 0°



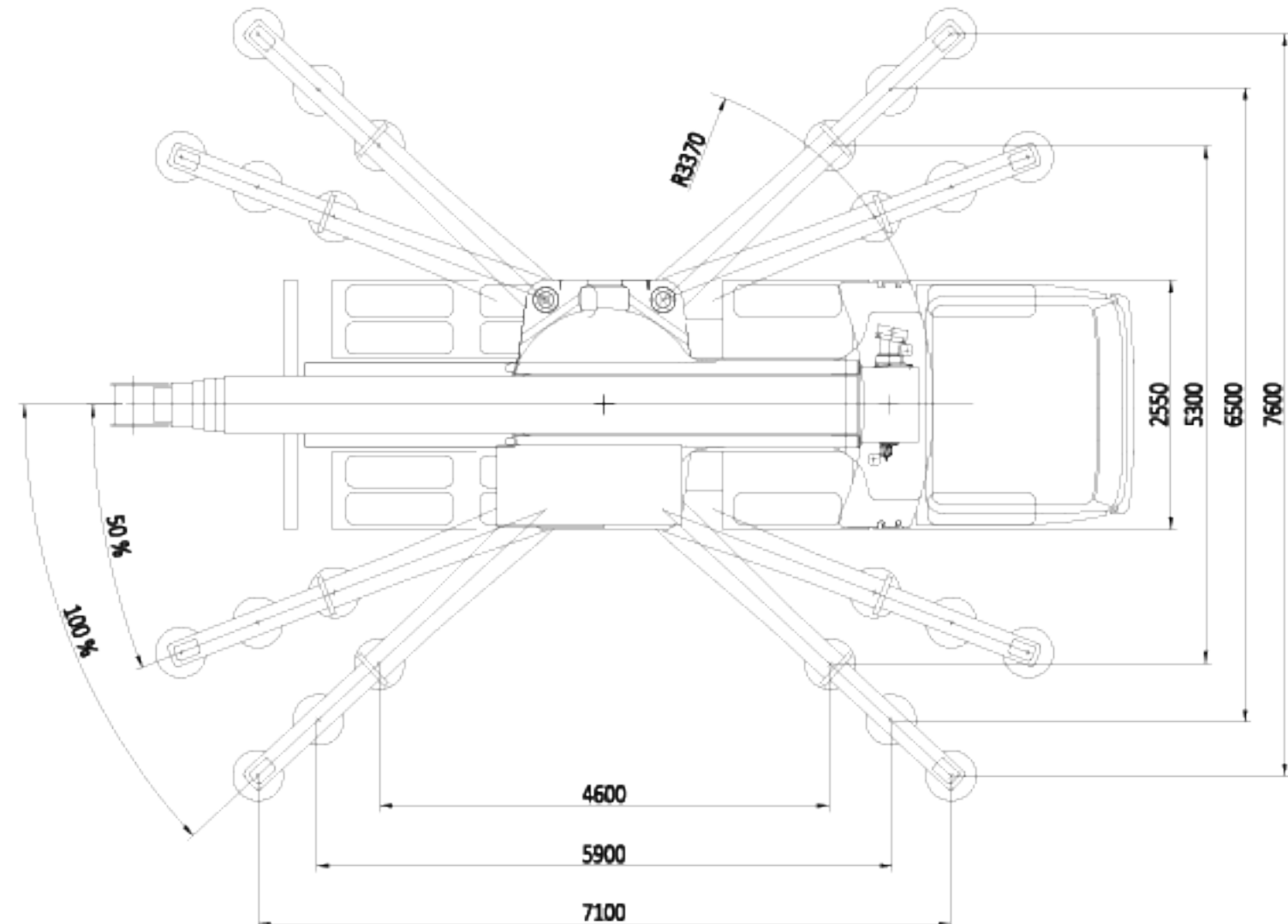
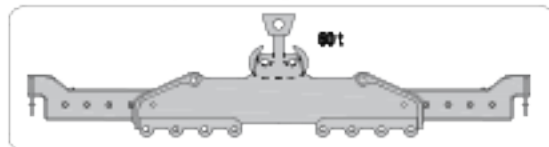
Hook blocks of various capacities



9 meters trestle jib



3,7 meters lift spreader beams



The lifting capacities in the structural area are based on DIN 15018 part 3 / FEM 5.004 / EN 13000.
The lifting capacities in the stability area are based on DIN 15019 part 2 / ISO 4306 / EN 13000

